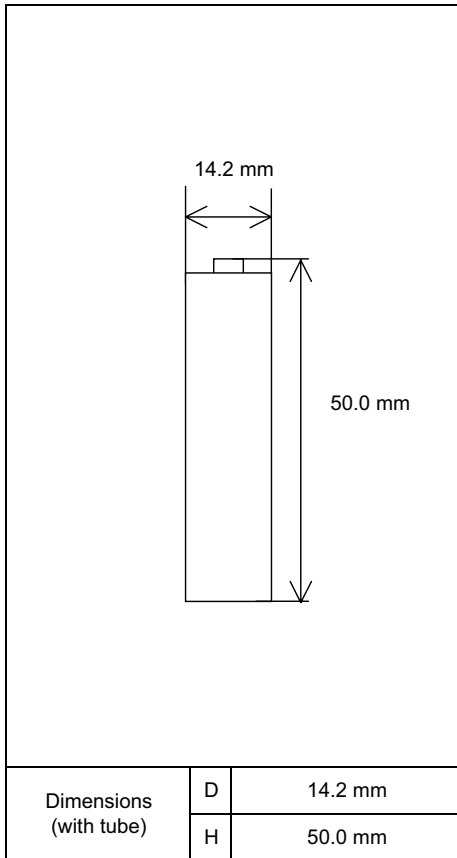


Specifications

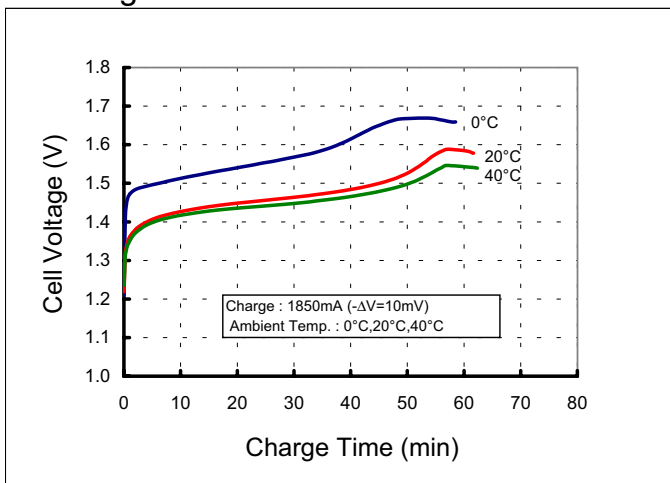


Type : Nickel-Metal Hydride Battery		Size : AA Consumer Type	
Capacity ¹⁾	Typical	1850mAh	
	Minimum	1750mAh	
Nominal Voltage		1.2V	
Charging Current x Time	Fast Charge ²⁾	1850 mA x about 1.1h	
Ambient Temp.	Charge Condition	Fast Charge ²⁾	
	Discharge Condition		
	Storage Condition	Less than 30days	0°C - 40°C
		Less than 90days	0°C - 50°C
Less than 1year		-20°C - 50°C	
Internal Impedance ³⁾ (after discharge to E.V.=1.0V)		About 25mΩ(at 1000Hz)	
Weight ⁴⁾		About 28 g	
Size ⁴⁾ : (Diameter) x (Height)		14.2(D) x 50.0(H) mm	

- 1) Single cell capacity under the following condition.
 Charge : 185mA×16h, Discharge : 370mA(E.V.=1.0V) at 20°C
 2) Use recommended charging system.
 3) After a few charge and discharge cycles under the above 1) condition.
 4) With tube.

Typical Characteristics

Charge



Discharge

